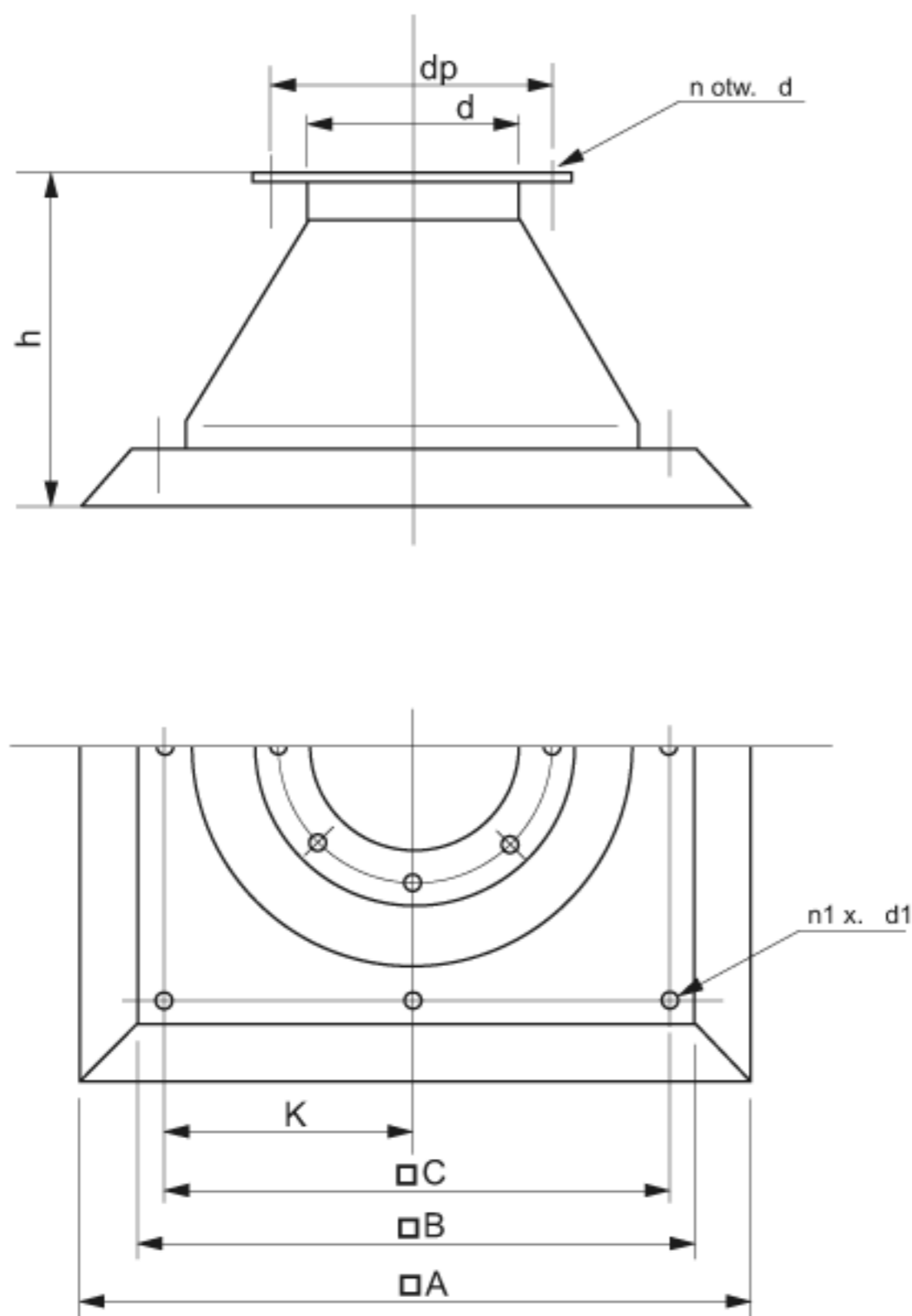
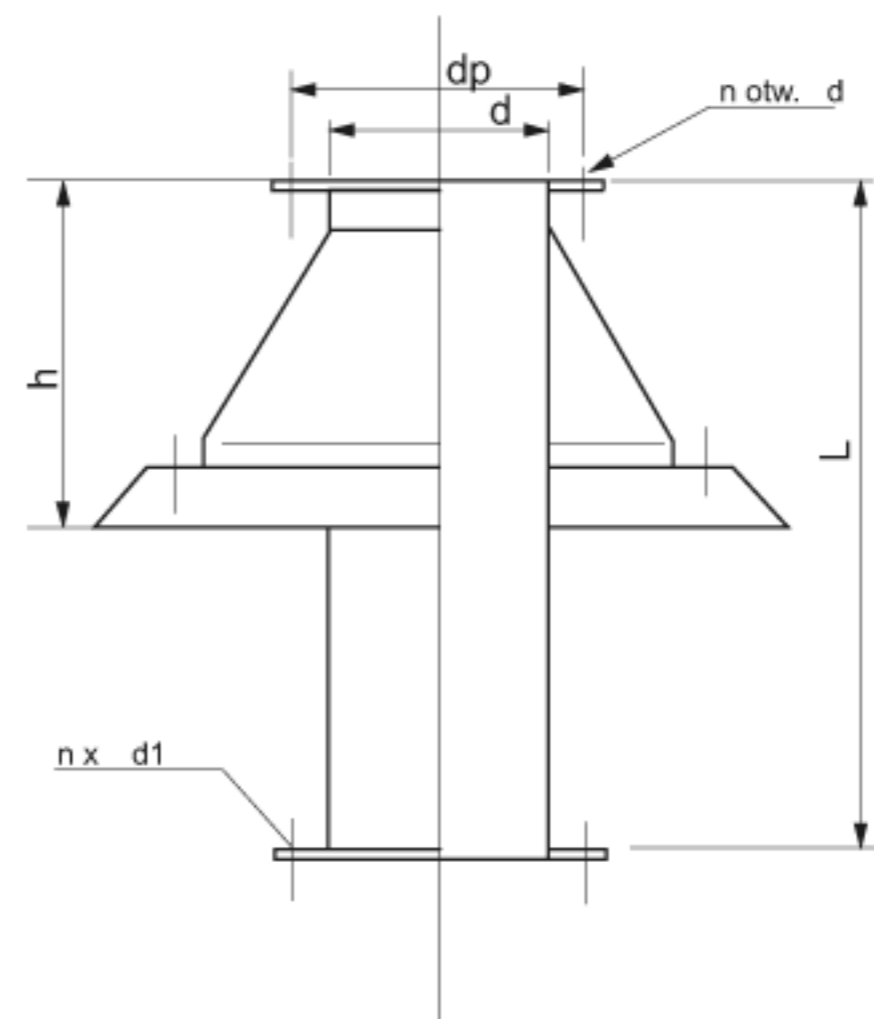




Typ BI



Typ BII



	d	dp	A	B	C	K	n otw.	d _{otw.}	h	L	n1 otw	d1
	[mm]	[mm]	[mm]	[mm]	[mm]	[mm]	[mm]	[mm]	[mm]	[mm]	[mm]	[mm]
B/I-16	160	185	455	410	330	165	8	7	145	1000	8	12
B/I-20	200	225	495	450	370	123	8	7	145	1000	12	12
B/I-25	250	275	525	480	400	133	8	7	145	1000	12	12
B/I-31	315	340	600	555	475	158	8	7	145	1000	12	14
B/I-35	355	387	600	555	475	158	12	10	145	1000	12	14
B/I-40	400	446	705	660	580	145	12	10	165	1000	16	14
B/I-50	500	530	830	785	705	141	8	9	190	1000	20	14